

# UMETA



***We make it move.***

QUALITY MADE IN GERMANY

 GB/2017

# UMETA – Your reliable partner for lubrication equipment and custom-made turned parts

MADE IN GERMANY



**Grease Nipples:** Established in 1926, UMETA has become one of the worldwide leading manufacturers of grease nipples. Thanks to our SAFE-LUBE-System, which ensures that the grease is going exactly where it is required, your precious equipment will always be protected. We offer about 1,500 different types – standard types as well as types on custom design – at absolute top quality. Trust in our experience and expertise.

**Grease Guns:** The highest quality level applies to our grease guns, since only original products of UMETA have the unique and well known UMETA TWIN-LOCK-System which prevents dummy-lubrication. In addition: The UMETA EVER-FLOW-System guarantees that even high-viscous grease flows steadily. We are looking forward to your requirements concerning custom-designed colours, packaging and imprints. Since we are the manufacturer and not a dealer, we are able to fulfill your special demands. Against this background we offer you a four-year-guarantee on the function of all our UMETA TWIN-LOCK grease guns.



\*subject to our guarantee terms: [www.umeta.com](http://www.umeta.com)

**Custom-made Turned Parts:** The efficient manufacturing of custom-made turned parts and valves – from individual pieces to small batches up to huge quantities – is one of our strengths. With our state-of-the-art CNC-controlled technology and comprehensively equipped machinery hall we produce high-quality turned parts in a diameter range of 3 mm up to 42 mm.



**Accessories:** In order to complete the UMETA lubrication equipment, we offer you various suitable accessories for every special custom application.

Our quality management system is certified according to ISO 9001 and we hold the environmental management system according to ISO 14001.

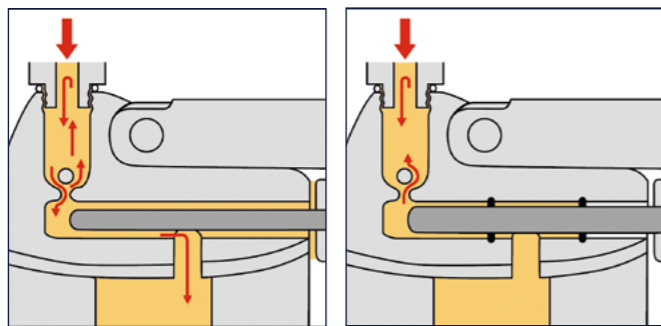


# Grease Guns – the complete lubrication and accessories line



\*subject to our guarantee terms:  
www.umeta.com

without UMETA TWIN-LOCK-System    with UMETA TWIN-LOCK-System



**TWINLOCK** SYSTEM    **EVERFLOW** SYSTEM

## UMETA TWIN-LOCK-System – The life insurance for your machinery and equipment

Two sealing elements protect the piston against abrasion and avoid dangerous dummy-lubrication. By this unique technique the grease definitely reaches the lubrication point and will not escape or return into the barrel. The UMETA EVER-FLOW-System enables the gun to handle high-viscous and even biodegradable greases absolutely reliable.



### UMETA-nozzles and couplers

The wide range of nozzles and couplers offers you highest variability.

Available adapters:

- hollow type, hydraulic type and pointed nozzles
- combo nozzles
- 4-jaw hydraulic couplers
- bayonet couplers
- button head couplers



### High pressure hoses

create an ideal connection between your grease gun and the lubrication point.

- ø 11 mm polyamide hose – max. 1,000 bar / 14,500 PSI
- ø 13 mm rubber 2SN hose – max. 1,650 bar / 23,925 PSI
- available in lengths of 300 mm, 500 or 750 mm
- available with every kind of couplers and nozzles

- 73/PK**  
300 cc/10 Oz. bulk grease
- 75/PK**  
400 g/450 cc/14 Oz. grease cartridge  
500 cc/16 Oz. bulk grease
- 75/PL**  
500 g/550 cc/17.5 Oz. grease cartridge  
600 cc/20 Oz. bulk grease
- 75/LL**  
1,000 cc/32 Oz. bulk grease



### 75/PKU

UMETA TWIN-LOCK ULTRA GUN combines quality and function with design and optimal firm grip. Zinc-plated version with filler valve according to DIN 1283 as standard.  
Filling capacity: 400 g/450 cc/14 Oz. grease cartridge  
500 cc/16 Oz. bulk grease



### Extension tubes

Tubes in a straight or bent version allow for the most simple, tool-free assembly by a polyamide wingnut. This enables you to adjust the bent coupler to any desired pointing direction and guarantees maximum sealing action.



### Quick-adapters

for HP-flexible hoses and extensions with hydraulic coupler.

- 200/K for drive shafts with hollow type nozzle
- 200/S for flush type nipples as per DIN 3405
- 200/XS for drive shafts and smallest grease nipples
- 200/M for button head grease nipples M1 (ø 16), M4 (ø 10) and M22 (ø 22) as per DIN 3404



### 85/PK

Pistol grip grease gun for hard to reach greasing points. Quick changed working positions from high pressure to maximum volume.  
Filling capacity: 400 g/450 cc/14 Oz. grease cartridge  
500 cc/16 Oz. bulk grease

### TWIN-LOCK Ultra Set

The complete lubricating equipment in a handy carrying case.



### Suction guns

for suction and dispensing various liquids. Ergonomic and durable design, available in sizes from 250, 500 and 1,000 cc/8.75, 17.5 and 35.0 Oz. For a better sealing action equipped with a double sleeve. Available accessories are dispensing pipes and transparent flexibles.



### Garage equipment

The practical devices for daily works in the garage, like filling devices, oil pumps, funnels etc.



### 70/PKT

Side lever grease gun with clear gun barrel. Shock-resistant, robust and corrosion-resistant.  
Filling capacity: 400 g/450 cc/14 Oz. grease cartridge  
500 cc/16 Oz. bulk grease  
Also available as pistol grip grease gun 80/PKT.



### ECO-LUBE

Side lever grease gun with filler valve according to DIN 1283.  
Filling capacity: 400 g/450 cc/14 Oz. grease cartridge  
500 cc/16 Oz. bulk grease



### Special coupler G-136

The G-Coupler allows for safe and easy grease application without any leakage of grease – quick and safe clip-on and clip-off, hands-free greasing.



### Button head couplers

for button head grease nipples as per DIN 3404.

- M4 for small button head ø 10 mm
- M1 + T1 for medium button head ø 16 mm
- M22 for giant button head ø 22 mm



### DRP/30

Air operated grease gun with automatic grease supply, with filling valve and separate air release valve.  
Filling capacity: 400 g/450 cc/14 Oz. grease cartridge  
500 cc/16 Oz. bulk grease



### Oil gun 70/PKO

Especially designed for leak-proof application of oils and high-viscosity greases.  
Filling capacity: 500 cc/16 Oz.



### Telescopic push type grease guns

acc. to DIN 1282-Form A, available in different sizes and types.  
Capacity range: 70 – 335 cc/2.2 – 10.7 Oz.  
Pressure range: 100 – 200 bar/1,450 – 2,900 PSI



### Push type grease guns

acc. to DIN 1282-Form B, available in different sizes and types.  
Capacity range: 60 – 300 cc/1.9 – 9.6 Oz.  
Pressure range: 100 – 200 bar/1,450 – 2,900 PSI

# Grease Nipples – the most extensive selection for you with more than 1,500 different types!

MADE IN GERMANY 

SAFELUBE SYSTEM 

Saving grease and protecting the environment: Thanks to the unique UMETA SAFE-LUBE-System the grease flows exactly to that point where it is supposed to be.

## The UMETA product range of grease nipples comprises basically:

- Standard types made of steel, stainless steel (SST303, SST316L) or brass
- Hydraulic type, ball type, flush type, bayonet type or button head grease nipples
- Standard and custom-designed sizes
- Manufactured according to all international standards like DIN, ISO, SAE, BS, JIS
- Custom-made types on request



**Flush type grease nipples**  
Form A, B, C (180°/45°/90°),  
Type D1, D2, D3



**Flush type grease nipples**  
Drive-in version with plain shank  
or serrated ridge,  
Form A, B, C (180°/45°/90°)



**Flush type grease nipples**  
Special designs in any kind of different dimensions, thread sizes and forms, manufactured in all feasible materials, amongst others available as Type DV1 + Type D3, quattro 90°.



**Button head grease nipples**  
M4     ∅ 10 mm  
M1     ∅ 16 mm  
M22    ∅ 22 mm



**Button head grease nipples**  
T1 + T1B, 15 mm HEX size



**Button head grease nipples**  
Special designs in any kind of different dimensions, thread sizes and forms, manufactured in all feasible materials, amongst others available with pin valve or as high-pressure version with check valve.



**Hydraulic type grease nipples**  
Form A, Type H1  
straight version (180°)



**Hydraulic type grease nipples**  
Form B, Type H2  
angled version (45°/67°)



**Hydraulic type grease nipples**  
Form C, Type H3  
angled version (90°)



**Bayonet type grease nipples**  
for an extraordinary strong and reliable connection to the pin type coupler. The design also results in a specific high flow rate of grease.



**Grease nipple assortments**  
Different contents and numbers available.  
Sort 80, Sort 170 und Sort 350



**Accessories for grease nipples**  
Protection caps made of plastics, rubber or aluminium against contamination and for indicating the lubricating points; Drive-in tool for safe assembling of straight drive-in nipples.



**Hydraulic type grease nipples**  
with self-tapping thread,  
Form A, B, C (180°/45°/90°).  
Specially surface hardened to prevent abrasion.



**Hydraulic type grease nipples drive-in version**  
with plain shank or serrated ridge,  
Form A, B, C (180°/45°/90°),  
in any kind of different versions and sizes.



**Hydraulic type grease nipples special designs**  
in any kind of different dimensions, thread sizes and forms, manufactured in all feasible materials. Amongst others available with pin valve, check valve, extension or double-head.



**Custom-made turned parts**  
Even small batches of individual turned parts can be manufactured with our CNC-controlled machines – all free-cutting raw materials in diameters from 3 to 42 mm.



**Plugs**  
for subsequent closing of boreholes are usually made of steel, zinc-plated and passivated, with tapered thread. Available in many different types.



**Pressure relief**  
for releasing excessive pressure in gearboxes or bearing housings are usually made of steel, zinc-plated and passivated, with tapered thread. Available in many different types.

MADE IN  
**GERMANY** 

**UMETA**

UMETA Hermann Ulrichskötter  
Metallwarenfabrik GmbH & Co. KG  
Almestraße 1-3  
33649 Bielefeld · Germany  
[www.umeta.com](http://www.umeta.com)

QUALITY MADE IN GERMANY

